

# Lightology

lightology.com  
866-954-4489  
04-22-26

Project: \_\_\_\_\_  
 Company: \_\_\_\_\_  
 Location: \_\_\_\_\_ Fixture Type: \_\_\_\_\_  
 SPEC #: **BPU1303214**  
 Approved On: \_\_\_\_\_ Approved By: \_\_\_\_\_

## Buster + Punch Retractive Multiport LED Dimmer Module

By Buster + Punch



### Description

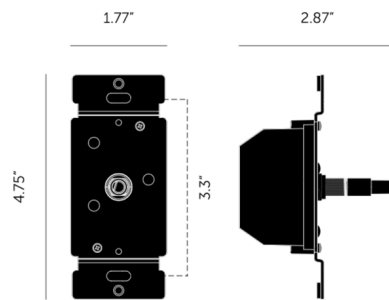
The Multipoint LED Dimmer Module works exclusively with the Buster + Punch US range of wall plates and detail kits. It operates with a push on/off, has a rotary dimmer action, plus multi-location dimming functionality (via retractive toggle modules). It can be used on a lighting circuit that powers dimmable LED, incandescent or halogen bulbs, and it is optimized for use with all Buster + Punch dimmable light bulbs. Team this dimmer with Buster + Punch retractive toggle modules to turn the lighting circuit on/off and up/down from a second location. The multipoint functionality is possible when pairing this dimming module with more than 1 retractive switch, because the dimmer can be controlled by up to 10 retractive switches connected to the dimmer in the same circuit. This is ideal in large spaces where the lighting needs to be controlled from different locations. A short press turns the lights on/off, while a long press cycles the brightness up and down to reach the desired brightness level. Note: This product is not compatible with the 3-way or intermediate toggle modules. Learn more about Buster + Punch Electricity Collection [here](#).

### Specifications

COLOR	N/A
BODY FINISH	Black
WATTAGE	300W
DIMMER	N/A
DIMENSIONS	1.77"W x 4.75"H
BULB	N/A
COUNTRY OF ORIGIN	China



Shown in black



CLICK TO VIEW PRODUCT

Notes: