

Lightology

lightology.com
866-954-4489
04-22-26

Project: _____
Company: _____
Location: _____ Fixture Type: _____
SPEC #: **BPU1303216**
Approved On: _____ Approved By: _____

Buster + Punch Toggle Retractive Switch Module

By Buster + Punch

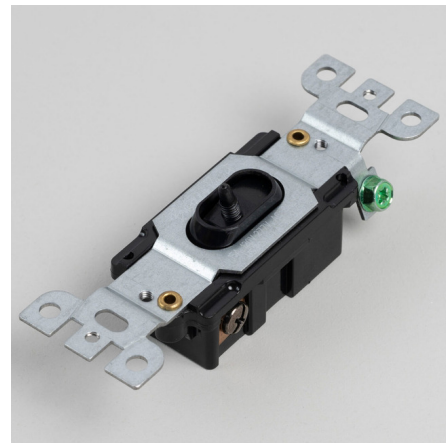


Description

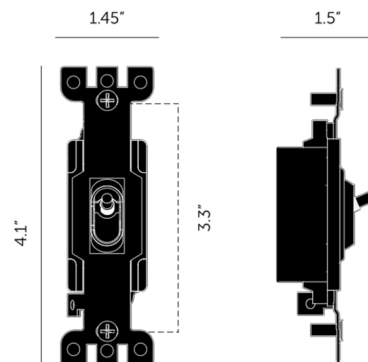
The Buster + Punch Retractive Toggle Switch Module is made to be used with the Buster + Punch Wall Plate and Detail Kits allowing you to create one of a kind switches for your home. The Retractive Switch Module features a sprung mechanism that returns to its original position. Can be paired with industry-standard smart control modules (with retractive switch inputs) to control various functions within your home. When used in a lighting circuit, a short press turns the light on/off. A long press cycles the brightness up and then down to reach the desired brightness level. Wired on the same circuit as a window blind, a short press opens/closes the blind completely, and a long press partially raises or lowers the blind until you release it. Note: This switch requires a multipoint dimmer module or a smart dimmer module that accepts a retractive input to function. Retractive switches are not compatible with 3-way or 4-way switching. Learn more about Buster + Punch Electricity Collection [here](#).

Specifications

COLOR	N/A
BODY FINISH	Black
WATTAGE	N/A
DIMMER	N/A
DIMENSIONS	1.45"W x 3.3"H x 1.5"D
BULB	N/A
COUNTRY OF ORIGIN	China



Shown in black



CLICK TO VIEW PRODUCT

Notes: