

Lightology

lightology.com
866-954-4489
04-25-26

Project: _____

Company: _____

Location: _____ Fixture Type: _____

SPEC #: **FMB1303764**

Approved On: _____ Approved By: _____

Oto Table Lamp

By Fermob

Description

The Oto Table Lamp is a portable wireless lamp for both inside and outside. Its two light diffusers may be turned 360 degrees, creating a sculpture similar to a totem. This decorative lamp also enables the color of the light to be modulated from warm white (3,000K) to cold (6,000k) and intensity can be varied from 10 to 100% with touch switch. This wireless battery operated lamp can be recharged using the provided magnet cable, a magnetic charging system that is incredibly easy to use.

Specifications

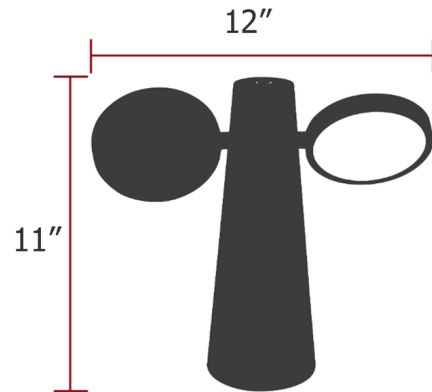
COLOR White
BODY FINISH Red Ochre
WATTAGE 6W
DIMMER Low Voltage Electronic
DIMENSIONS 12"W x 11"H x 6"D
INTEGRATED LED MODULE 1 x LED/6W/120V LED
COUNTRY OF ORIGIN China

Technical Information

LAMP COLOR 6000K
LUMENS/WATT 66.67
LUMINOUS FLUX 400 lumens



Shown in red ochre / white



CLICK TO VIEW PRODUCT

Notes: