

# Lightology

lightology.com  
866-954-4489  
04-24-26

Project: \_\_\_\_\_  
 Company: \_\_\_\_\_  
 Location: \_\_\_\_\_ Fixture Type: \_\_\_\_\_  
 SPEC #: **CDI130560**  
 Approved On: \_\_\_\_\_ Approved By: \_\_\_\_\_

## Manhattan Reading Swing Arm Wall Light By Contardi

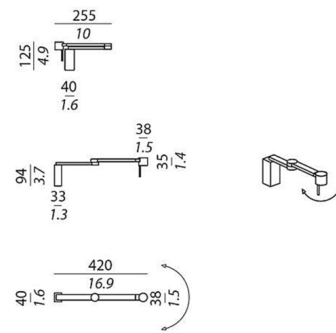


### Description

Manhattan Reading Swing Arm Wall Light features a double jointed arm that moves both on the axis of the base and on the joint between the two arms. Adjustable head. Available with or without a switch on the backplate. Note: This fixture does not mount to a standard US junction box - a 2 x 4 junction box is required.



Shown in satin nickel / satin nickel



### Specifications

COLOR	Satin Nickel
BODY FINISH	Satin Nickel
WATTAGE	3W
DIMMER	N/A
DIMENSIONS	16.9"L x 10"W x 4.9"H
INTEGRATED LED MODULE	1 x LED/3W/120V LED
COUNTRY OF ORIGIN	Italy

### Technical Information

PRODUCT DIMENSIONS	Backplate: 2.6"W x 4.9"H
COLOR RENDERING	90 CRI
LAMP COLOR	2700K
LUMENS/WATT	166.67
LUMINOUS FLUX	500 lumens



CLICK TO VIEW PRODUCT

Notes: