

Lightology

lightology.com
866-954-4489
04-25-26

Project: _____

Company: _____

Location: _____ Fixture Type: _____

SPEC #: **ACC131120**

Approved On: _____ Approved By: _____

Vision Square Wall / Ceiling Mount By Access

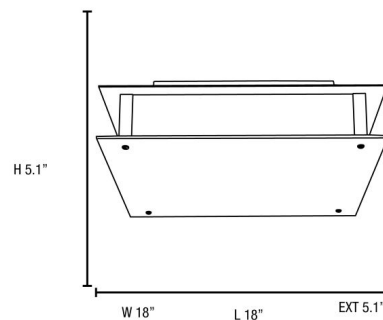


Description

Vision Square Wall / Ceiling Mount features a frosted glass shade with a brushed steel finish. Available in three sizes with two lamping options. ADA Compliant. ETL listed for damp locations. Suitable for commercial or residential use.



Shown in brushed steel / frosted



Specifications

COLOR	Frosted
BODY FINISH	Brushed Steel
WATTAGE	200W
DIMMER	Standard 120V
DIMENSIONS	9.5"W x 3.25"H x 9.5"D
BULB NOT INCLUDED	1 x T3LONG/R7s (RSC)/200W/120V Halogen
COUNTRY OF ORIGIN	China

Technical Information

LUMENS/WATT	16.00
LUMINOUS FLUX	3200 lumens



CLICK TO VIEW PRODUCT

Notes: