

Lightology

lightology.com
866-954-4489
04-16-26

Project: _____

Company: _____

Location: _____ Fixture Type: _____

SPEC #: **VIB1313258**

Approved On: _____ Approved By: _____

Pin Wall Sconce

By Vibia



Description

The Pin Wall Sconce features a sleek, minimal form that shines light towards the wall to provide indirect lighting. The domed head of the fixture houses an integrated LED light source and can be rotated 45 degrees in either direction. Includes mounting plate to cover standard US junction box (not pictured).

Specifications

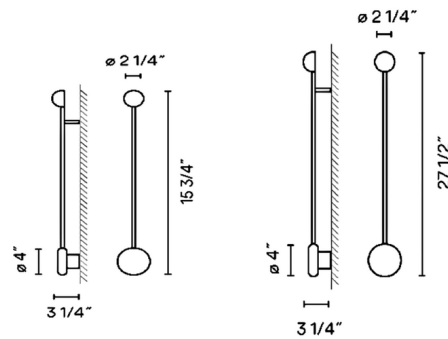
COLOR N/A
BODY FINISH Cream
WATTAGE 4.5W
DIMMER Not Dimmable
DIMENSIONS 4"W x 15.75"H x 3.25"D
INTEGRATED LED MODULE 1 x LED/4.5W/120-230V LED
COUNTRY OF ORIGIN Spain

Technical Information

COLOR RENDERING 90 CRI
LAMP COLOR 2700K
LUMENS/WATT 100.00
LUMINOUS FLUX 450 lumens



Shown in cream



CLICK TO VIEW PRODUCT

Notes: