

# Lightology

lightology.com  
866-954-4489  
07-09-26

Project: \_\_\_\_\_

Company: \_\_\_\_\_

Location: \_\_\_\_\_ Fixture Type: \_\_\_\_\_

SPEC #: **VIB1313317**

Approved On: \_\_\_\_\_ Approved By: \_\_\_\_\_

## Mayfair Pendant By Vibia



### Description

The Mayfair Pendant is a modern re-imagining of the classic pendants traditionally used over billiards tables. The flattened dome shade is intersected by a slim vertical cable cover for an understated decorative accent. The majority of light from the integrated LED is directed downward, while a small amount escapes upward for a dramatic effect.

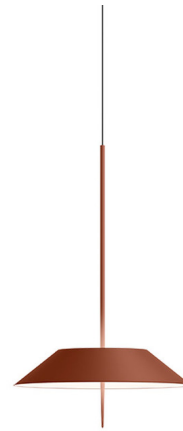
### Specifications

COLOR	N/A
BODY FINISH	Terra Red
WATTAGE	12.6W
DIMMER	0-10V
DIMENSIONS	11.75"W x 19"H
INTEGRATED LED MODULE	1 x LED/12.6W/120-230V LED
COUNTRY OF ORIGIN	Spain

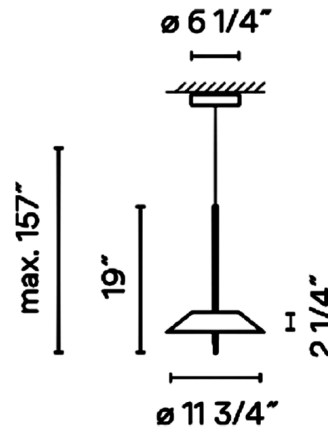
### Technical Information

COLOR RENDERING	90 CRI
LAMP COLOR	2700K
LUMENS/WATT	146.11
LUMINOUS FLUX	1841 lumens

Notes:



Shown in terra red



CLICK TO VIEW PRODUCT