

# Lightology

lightology.com  
866-954-4489  
04-07-26

Project: \_\_\_\_\_  
Company: \_\_\_\_\_  
Location: \_\_\_\_\_ Fixture Type: \_\_\_\_\_  
SPEC #: **VIB1313348**  
Approved On: \_\_\_\_\_ Approved By: \_\_\_\_\_

## Flat Triple Ceiling Light By Vibia



### Description

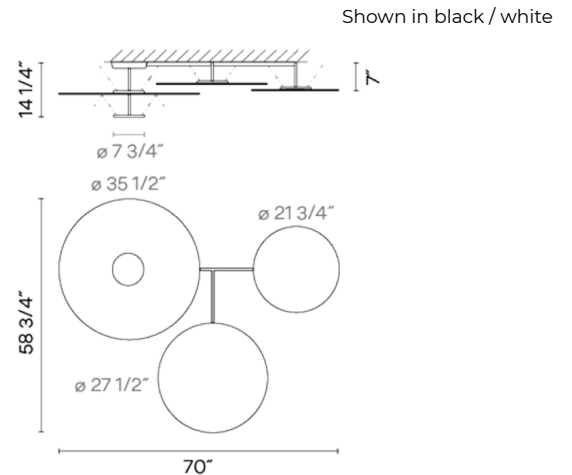
The Flat Triple Ceiling Light uses flat panel LEDs to create an indirect, up-lighting effect that appears to cast a luminous halo against the ceiling. A trio of round aluminum reflectors are linked by a sleek steel frame for a playful look that will complement a modern interior with its soft, warm glow.

### Specifications

COLOR . . . . . White  
BODY FINISH . . . . . Black  
WATTAGE . . . . . 80W  
DIMMER . . . . . 0-10V  
DIMENSIONS . . . . . 70"W x 14.25"H x 58.75"D  
INTEGRATED LED MODULE . . . . . 4 x LED/20W/120-277V LED  
COUNTRY OF ORIGIN . . . . . Spain

### Technical Information

COLOR RENDERING . . . . . 90 CRI  
LAMP COLOR . . . . . 2700K  
LUMENS/WATT . . . . . 580.00  
LUMINOUS FLUX . . . . . 11600 lumens



CLICK TO VIEW PRODUCT

Notes: