

Lightology

lightology.com
866-954-4489
07-01-26

Project: _____

Company: _____

Location: _____ Fixture Type: _____

SPEC #: **VIB1313351**

Approved On: _____ Approved By: _____

Flat Double Ceiling Light

By Vibia



Description

The Flat Double Ceiling Light uses flat panel LEDs to create an indirect, up-lighting effect that appears to cast a luminous halo against the ceiling. A pair of round aluminum reflectors are linked by a sleek steel frame for a playful look that will complement a modern interior with its soft, warm glow.

Specifications

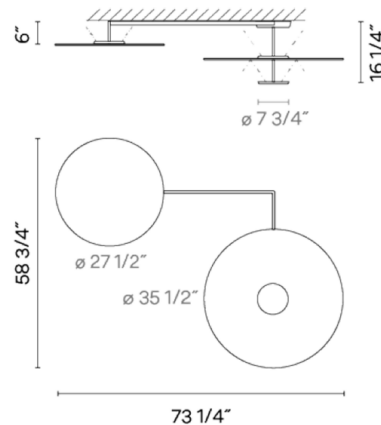
COLOR White / Green
BODY FINISH Black
WATTAGE 60W
DIMMER 0-10V
DIMENSIONS 73.25"W x 16.25"H x 58.75"D
INTEGRATED LED MODULE 3 x LED/20W/120-277V LED
COUNTRY OF ORIGIN Spain

Technical Information

COLOR RENDERING 90 CRI
LAMP COLOR 2700K
LUMENS/WATT 417.60
LUMINOUS FLUX 8352 lumens



Shown in black / white / green



CLICK TO VIEW PRODUCT

Notes: