

# Lightology

lightology.com  
866-954-4489  
05-24-26

Project: \_\_\_\_\_

Company: \_\_\_\_\_

Location: \_\_\_\_\_ Fixture Type: \_\_\_\_\_

SPEC #: **TLG1313585**

Approved On: \_\_\_\_\_ Approved By: \_\_\_\_\_

## Shanti Double Asymmetric Pendant By Visual Comfort Modern



### Description

The Shanti Double Asymmetric Pendant features layered spun metal bowls that form a distinctive modern profile inspired by industrial style. The metal shades come to life as they cast LED light upward and downward, the light glazing the structure while creating a warm, radiant glow. TRIAC, ELV, or 0-10V dimmable.

### Specifications

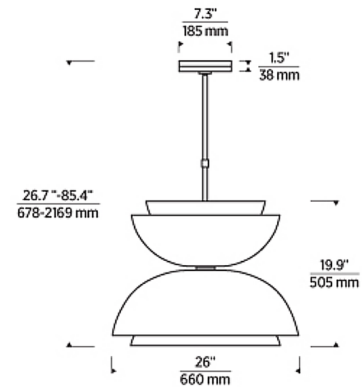
COLOR	N/A
BODY FINISH	Dark Bronze
WATTAGE	35W
DIMMER	Low Voltage Electronic
DIMENSIONS	26"W x 19.9"H
INTEGRATED LED MODULE	2 x LED/17.5W/120-277V LED
COUNTRY OF ORIGIN	China

### Technical Information

LAMP LIFE	50000 hours
COLOR RENDERING	90 CRI
LAMP COLOR	2700K
LUMENS/WATT	29.71
LUMINOUS FLUX	520 lumens



Shown in dark bronze



CLICK TO VIEW PRODUCT

Notes: