

# Lightology

lightology.com  
866-954-4489  
04-25-26

Project: \_\_\_\_\_  
 Company: \_\_\_\_\_  
 Location: \_\_\_\_\_ Fixture Type: \_\_\_\_\_  
 SPEC #: **TLG1313605**  
 Approved On: \_\_\_\_\_ Approved By: \_\_\_\_\_

## Sanchi 3-Tier Chandelier

By Visual Comfort Modern



### Description

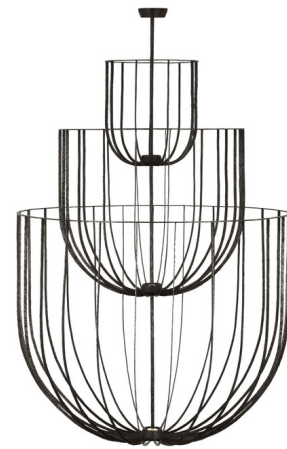
The Sanchi 3-Tier Chandelier is hand-hammered by skilled craftsmen, boasting a unique metal surface that creates interesting interplays of light and metal. Embodying the modern luxe aesthetic, the Sanchi elevates any contemporary space with its distinctive design and grand scale. Integrated LED uplights and a downlight fill your space with a warm glow. TRIAC, ELV, and 0-10V dimmable. This item is made of natural brass, a living finish that will patina and warm over time, enhancing its richness. If the patina becomes uneven or spotty, a brass cleaner can restore the finish. Note: Requires a junction rated for fixtures weighing over 50 lb.

### Specifications

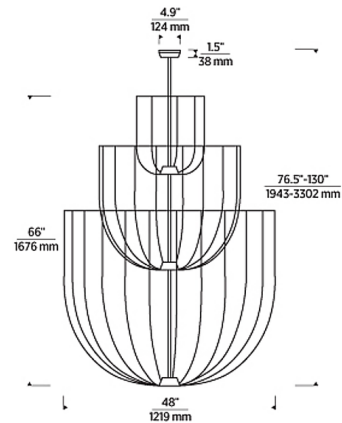
COLOR	N/A
BODY FINISH	Aged Iron
WATTAGE	35W
DIMMER	Low Voltage Electronic
DIMENSIONS	48"W x 66"H
INTEGRATED LED MODULE	4 x LED/8.75W/120-277V LED
COUNTRY OF ORIGIN	China

### Technical Information

LAMP LIFE	50000 hours
COLOR RENDERING	90 CRI
LAMP COLOR	2700K
LUMENS/WATT	197.71
LUMINOUS FLUX	1730 lumens



Shown in aged iron



CLICK TO VIEW PRODUCT

Notes: