

Lightology

lightology.com
866-954-4489
04-25-26

Project: _____

Company: _____

Location: _____ Fixture Type: _____

SPEC #: **WAC1314028**

Approved On: _____ Approved By: _____

Double Entendre Pendant By WAC Lighting



Description

The Double Entendre Pendant features an open, airy design composed of overlapping rectangles in contrasting finishes. The frames are lined with LED strips to provide warm, diffused downlight. Dimmable with ELV (100-10%) or TRIAC (100-5%) dimmers.

Specifications

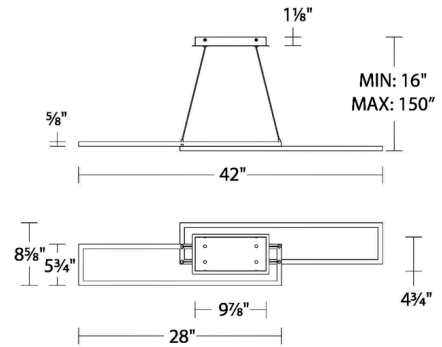
COLOR N/A
 BODY FINISH Black / Aged Brass
 WATTAGE 66W
 DIMMER Low Voltage Electronic
 DIMENSIONS 42"L x 8.63"W x 0.62"H
 INTEGRATED LED MODULE 2 x LED/33W/120-277V LED

Technical Information

LAMP LIFE 50000 hours
 COLOR RENDERING 90 CRI
 LAMP COLOR 2700K
 LUMENS/WATT 31.12
 LUMINOUS FLUX 1027 lumens



Shown in black / aged brass



CLICK TO VIEW PRODUCT

Notes: