

Lightology

lightology.com
866-954-4489
07-01-26

Project: _____

Company: _____

Location: _____ Fixture Type: _____

SPEC #: **WAC1314160**

Approved On: _____ Approved By: _____

Hornet Accent Light 12V

By WAC Lighting



Description

The Hornet Accent Light is a versatile landscape light with a small form factor. Its beam angle is continuously adjustable and indexed at 20, 35, 45, 60, and 70 degrees, allowing flexibility for illuminating buildings, garden features, or greenery. Corrosion-resistant die-cast brass construction ensures durability in challenging outdoor environments including coastal areas. A mounting stake, 12 ft lead wire, and direct burial gel filled wire nuts are included. Note: A transformer is required, sold separately.

Specifications

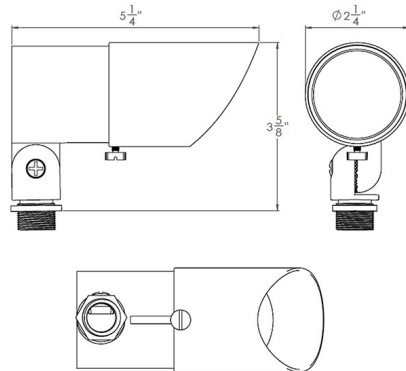
COLOR	Clear
BODY FINISH	Bronze on Brass
WATTAGE	10.5W
DIMMER	Low Voltage Magnetic
DIMENSIONS	5.25"W x 3.625"H x 2.25"D
INTEGRATED LED MODULE	1 x LED/10.5W/12V LED
COUNTRY OF ORIGIN	China

Technical Information

LAMP LIFE	40000 hours
BEAM SPREAD	Adjustable
COLOR RENDERING	85 CRI
LAMP COLOR	3000K
LUMENS/WATT	78.10
LUMINOUS FLUX	820 lumens



Shown in bronze on brass / clear



CLICK TO VIEW PRODUCT

Notes: