

Lightology

lightology.com
866-954-4489
04-23-26

Project: _____

Company: _____

Location: _____ Fixture Type: _____

SPEC #: **MLW1337917**

Approved On: _____ Approved By: _____

Warehouse 4 Light Square Outdoor Pendant By Montclair Light Works



Description

The Warehouse 4 Light Outdoor Pendant with 10 inch shades brings a bold industrial vibe, inspired by 1920's industrial lighting, to your exterior space. The stepped shade, lined in white, casts warm light across your area. A polyester powder coat finish provides color retention and scratch resistance.

Specifications

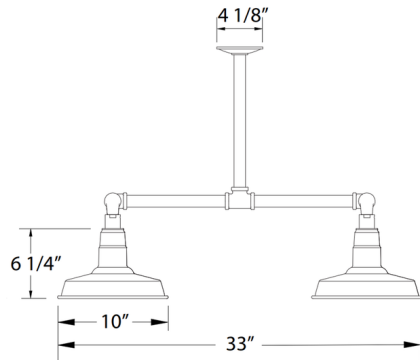
COLOR N/A
BODY FINISH Slate Gray
WATTAGE 68W
DIMMER Standard 120V
DIMENSIONS 33"W x 6.25"H
BULB NOT INCLUDED 4 x A19/Medium (E26)/17W/120V LED
COUNTRY OF ORIGIN United States

Technical Information

PRODUCT DIMENSIONS Downrod: One 12" Included



Shown in slate gray



CLICK TO VIEW PRODUCT

Notes: