

# Lightology

lightology.com  
866-954-4489  
04-22-26

Project: \_\_\_\_\_

Company: \_\_\_\_\_

Location: \_\_\_\_\_ Fixture Type: \_\_\_\_\_

SPEC #: **TLG1342254**

Approved On: \_\_\_\_\_ Approved By: \_\_\_\_\_

## Noa Chandelier

By Visual Comfort Modern



### Description

The Noa Chandelier brings the elements of nature to your interior space. This statement piece features a smooth ring is complemented with sea grass that helps diffuse warm light across your room.



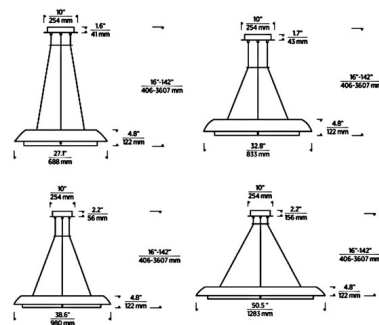
Shown in hand rubbed antique brass / natural

### Specifications

COLOR . . . . . Natural  
 BODY FINISH . . . . . Hand Rubbed Antique Brass  
 WATTAGE . . . . . 40W  
 DIMMER . . . . . Low Voltage Electronic  
 DIMENSIONS . . . . . 27.1"W x 4.8"H  
 INTEGRATED LED MODULE . . . . . 1 x LED/40W/120-277V LED  
 COUNTRY OF ORIGIN . . . . . China

### Technical Information

LAMP LIFE . . . . . 50000 hours  
 COLOR RENDERING . . . . . 90 CRI  
 LAMP COLOR . . . . . 2700K  
 LUMENS/WATT . . . . . 36.15  
 LUMINOUS FLUX . . . . . 1446 lumens



CLICK TO VIEW PRODUCT

Notes: