

Lightology

lightology.com
866-954-4489
04-21-26

Project: _____

Company: _____

Location: _____ Fixture Type: _____

SPEC #: **AHM1342529**

Approved On: _____ Approved By: _____

Cannon Log Holder

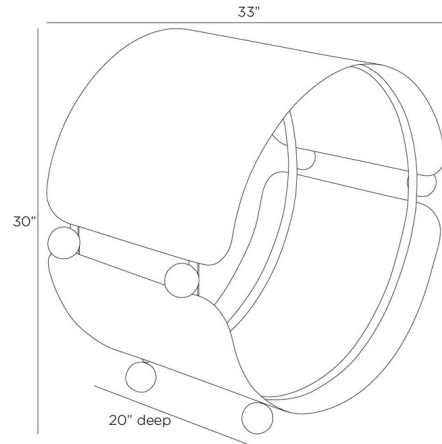
By Arteriors Home

Description

The Cannon Log Holder is a traditional log holder that is updated in hammered, blackened iron. Its oversized circular profile acts as enclosed storage, while contrasting spacers of sienna marble add an element of surprise. Finished with marble feet, its modernist silhouette is a work of functional art for any hearth.



Shown in black



Specifications

COLOR	Black
BODY FINISH	N/A
WATTAGE	N/A
DIMMER	N/A
DIMENSIONS	33"W x 30"H x 20"D
BULB	N/A
COUNTRY OF ORIGIN	India



CLICK TO VIEW PRODUCT

Notes: