

# Lightology

lightology.com  
866-954-4489  
05-17-26

Project: \_\_\_\_\_

Company: \_\_\_\_\_

Location: \_\_\_\_\_ Fixture Type: \_\_\_\_\_

SPEC #: **AHM1342687**

Approved On: \_\_\_\_\_ Approved By: \_\_\_\_\_

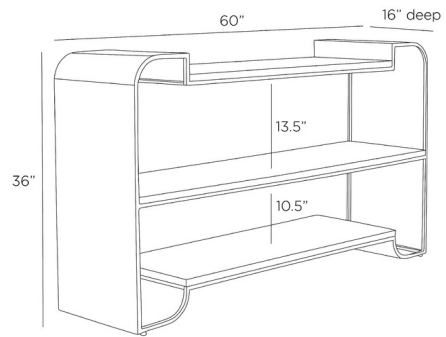
## Epton Bookshelf By Arteriors Home

### Description

The Epton Bookshelf is inspired by industrial style yet equally at home in a contemporary space. A balanced etagere suspends smoke mango wood within a framework of blackened bronze iron. The shelving floats between linear and curved elements with a waterfall effect.



Shown in blackened bronze / smoke



### Specifications

COLOR	Smoke
BODY FINISH	Blackened Bronze
WATTAGE	N/A
DIMMER	N/A
DIMENSIONS	60"W x 36"H x 16"D
BULB	N/A
COUNTRY OF ORIGIN	India



CLICK TO VIEW PRODUCT

Notes: