

# Lightology

lightology.com  
866-954-4489  
04-24-26

Project: \_\_\_\_\_

Company: \_\_\_\_\_

Location: \_\_\_\_\_ Fixture Type: \_\_\_\_\_

SPEC #: **AHM1342708**

Approved On: \_\_\_\_\_ Approved By: \_\_\_\_\_

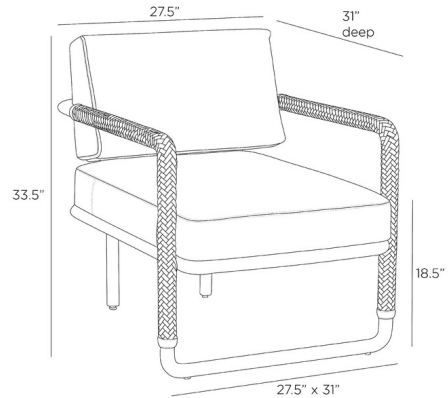
## Durham Chair By Arteriors Home

### Description

The Durham Chair is a classic leather club chair, updated with modern open arms and pieced details. Tactile braided leather of a rich cognac hue on each arm complements its sturdy midcentury modern lines. An open frame of blackened bronze stainless steel makes this generously scaled seat both airy and easy to place.



Shown in blackened bronze / cognac



### Specifications

COLOR	Cognac
BODY FINISH	Blackened Bronze
WATTAGE	N/A
DIMMER	N/A
DIMENSIONS	27.5"W x 33.5"H x 31"D
BULB	N/A
COUNTRY OF ORIGIN	India



CLICK TO VIEW PRODUCT

Notes: