

# Lightology

lightology.com  
866-954-4489  
04-22-26

Project: \_\_\_\_\_

Company: \_\_\_\_\_

Location: \_\_\_\_\_ Fixture Type: \_\_\_\_\_

SPEC #: **BIS1352797**

Approved On: \_\_\_\_\_ Approved By: \_\_\_\_\_

## Double Table Lamp

By Brokis

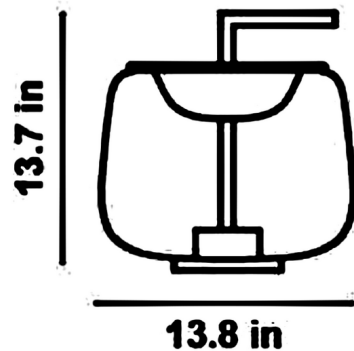


### Description

The Double Table Lamp features an elegant silhouette comprised of a harmonious pairing of glass and metal. The glass diffuser encircles an integrated LED light source and is topped with a indented metal cap to aid in light reflection. A Tunable White dimmer switch on the cord allows the color temperature of the light to be adjusted (2700K-6500K) as well as the brightness.



Shown in matte black / smoke brown



### Specifications

COLOR . . . . . Smoke Brown  
BODY FINISH . . . . . Matte Black  
WATTAGE . . . . . 9.4W  
DIMMER . . . . . Included  
DIMENSIONS . . . . . 13.8"W x 13.7"H  
INTEGRATED LED MODULE . . . . . 1 x LED/9.4W/120V LED  
COUNTRY OF ORIGIN . . . . . Czech Republic

### Technical Information

COLOR RENDERING . . . . . 90 CRI  
LAMP COLOR . . . . . 2700K-6500K Tunable White  
LUMENS/WATT . . . . . 112.77  
LUMINOUS FLUX . . . . . 1060 lumens



CLICK TO VIEW PRODUCT

Notes: