

# Lightology

lightology.com  
866-954-4489  
06-01-26

Project: \_\_\_\_\_

Company: \_\_\_\_\_

Location: \_\_\_\_\_ Fixture Type: \_\_\_\_\_

SPEC #: **BIS1352808**

Approved On: \_\_\_\_\_ Approved By: \_\_\_\_\_

## Overlay Linear Pendant

By Brokis

### Description

The Overlay Linear Pendant elegantly combines simple geometric forms to create a distinctly modern yet timeless expression. The cylindrical diffuser is intersected by a slim light tube which protrudes from either end to create the illusion that it is floating. The pendant's body and canopy are crafted from concrete mixed with glass shards to add a unique texture to the design. Available with Clear Etched or Glossy Smoke Grey Transparent glass diffuser.

### Specifications

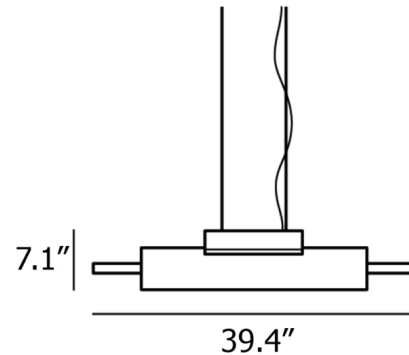
COLOR . . . . . Etched Glass  
BODY FINISH . . . . . Anthracite Concrete  
WATTAGE . . . . . 8W  
DIMMER . . . . . Not Dimmable  
DIMENSIONS . . . . . 39.37"L x 7.087"W x 7.087"H  
INTEGRATED LED MODULE . . . . . 1 x LED/8W/120V LED  
COUNTRY OF ORIGIN . . . . . Czech Republic

### Technical Information

LAMP LIFE . . . . . 20000 hours  
COLOR RENDERING . . . . . 90 CRI  
LAMP COLOR . . . . . 2700K  
LUMENS/WATT . . . . . 85.00  
LUMINOUS FLUX . . . . . 680 lumens



Shown in anthracite concrete / etched glass



CLICK TO VIEW PRODUCT

Notes: