

Lightology

lightology.com
866-954-4489
06-01-26

Project: _____

Company: _____

Location: _____ Fixture Type: _____

SPEC #: **ET21353307**

Approved On: _____ Approved By: _____

Bevel LED Mirror

By Et2

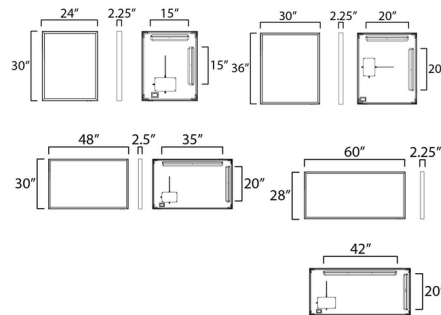


Description

White Acrylic diffusers are miter cut and beveled along the edge of the Bevel LED Mirror frame allowing for wider, and brighter lighting. Robust in size, the mirror features excellent construction and 5CCT light selection using a discreet touch switch on the frames edge. Hardwire the mirrors to a dimmer switch to control the brightness and the memory function on the LED will recall the chosen color temperature of the previous setting.



Shown in satin nickel / mirror



Specifications

COLOR	Mirror
BODY FINISH	Satin Nickel
WATTAGE	40W
DIMMER	Low Voltage Electronic
DIMENSIONS	. 24\"W x 30\"H x 2.25\"D
INTEGRATED LED MODULE	. 1 x LED/40W/120V LED

Technical Information

LAMP LIFE	35000 hours
COLOR RENDERING	.90 CRI
LAMP COLOR	4000K
LUMENS/WATT	35.00
LUMINOUS FLUX	1400 lumens



CLICK TO VIEW PRODUCT

Notes: