

# Lightology

lightology.com  
866-954-4489  
04-22-26

Project: \_\_\_\_\_

Company: \_\_\_\_\_

Location: \_\_\_\_\_ Fixture Type: \_\_\_\_\_

SPEC #: **MSR1353813**

Approved On: \_\_\_\_\_ Approved By: \_\_\_\_\_

## Luppiter Wall Sconce By Masiero

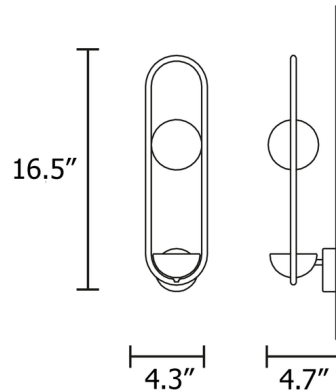


### Description

The Luppiter Wall Sconce features an oblong, painted metal frame. Within the frame, a half-sphere shade directs light onto a white alabaster sphere for a unique, sculptural look. Luppiter's open frame gives the fixture a light, airy expression that will dazzle in any interior. Maybe mounted with light directed up or down.



Shown in matte black / alabaster



### Specifications

COLOR . . . . . Alabaster  
BODY FINISH . . . . . Matte Black  
WATTAGE . . . . . 8W  
DIMMER . . . . . N/A  
DIMENSIONS . . . . . 4.3"W x 16.5"H x 4.7"D  
INTEGRATED LED MODULE . . . . . 1 x LED/8W/120V LED

### Technical Information

COLOR RENDERING . . . . . 90 CRI  
LAMP COLOR . . . . . 3000K  
LUMENS/WATT . . . . . 86.25  
LUMINOUS FLUX . . . . . 690 lumens



CLICK TO VIEW PRODUCT

Notes: