

Lightology

lightology.com
866-954-4489
07-11-26

Project: _____

Company: _____

Location: _____ Fixture Type: _____

SPEC #: **MAX1354192**

Approved On: _____ Approved By: _____

Storybook Outdoor Pendant By Maxim Lighting

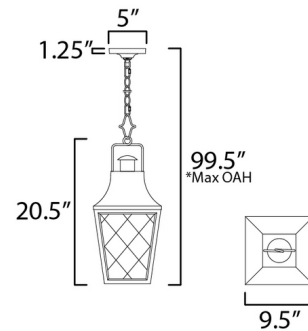


Description

The charming cottage style lantern in the Storybook Outdoor Pendant features a unique cross-etched glass panel that is Clear and beveled along their edges. Additional design details such as whimsical loops above a chimney element add to the product's delightful appearance. Finished in a Matte Black outdoor rated powder coat, the pendant recaptures the appeal of storybook lanterns. Dimmable via Triac or electronic low voltage (ELV) dimming.



Shown in black / clear



Specifications

COLOR	Clear
BODY FINISH	Black
WATTAGE	9W
DIMMER	Low Voltage Electronic
DIMENSIONS	9.5"W x 20.5"H
BULB NOT INCLUDED	1 x Edison ST-Shape/Medium (E26)/9W/120V LED



CLICK TO VIEW PRODUCT

Notes: