

Lightology

lightology.com
866-954-4489
06-04-26

Project: _____

Company: _____

Location: _____ Fixture Type: _____

SPEC #: **NIL1354403**

Approved On: _____ Approved By: _____

AS43C Pendant

By Nemo

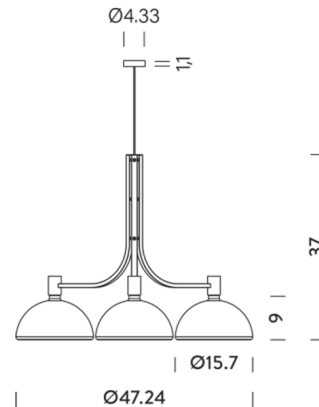


Description

The AS434C Pendant, designed by M. Albin, F. Helg, F. Albin, and A. Piva, features a trio of Opal glass diffusers with a widespread beam of light suspended from a branching metal frame. Originally designed in 1969, AM4C encapsulates the essence of Milanese architect Franco Albin's iconic style.



Shown in chrome / opal



Specifications

| | |
|--------------------|--|
| COLOR | Opal |
| BODY FINISH | Chrome |
| WATTAGE | 210W |
| DIMMER | Standard 120V |
| DIMENSIONS | 47.24"W x 37"H |
| BULB NOT INCLUDED | 3 x A19/Medium (E26)/70W/120V Incandescent |
| OTHER BULB OPTIONS | 3 x A19/Medium (E26)/120V LED |
| COUNTRY OF ORIGIN | Italy |



CLICK TO VIEW PRODUCT

Notes: