

Lightology

lightology.com
866-954-4489
04-21-26

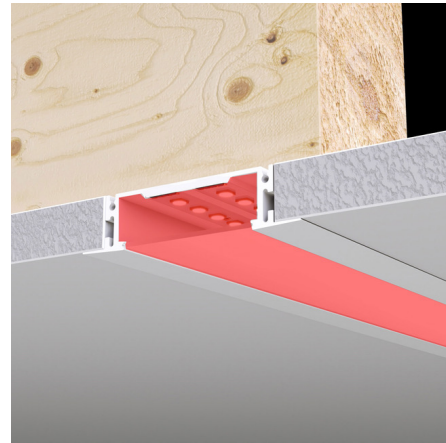
Project: _____
 Company: _____
 Location: _____ Fixture Type: _____
 SPEC #: **EDG1358208**
 Approved On: _____ Approved By: _____

Truline Trim 1.6A Trucolor RGBTW 24VDC Recessed LED System By PureEdge Lighting

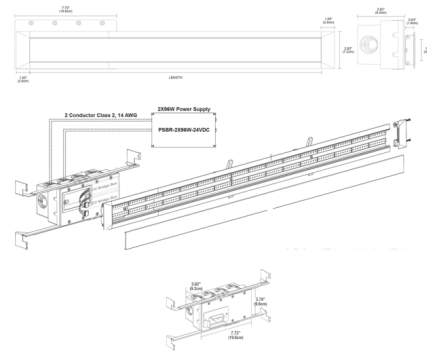


Description

The Truline Trim 1.6A with the TruColor RGBTW light engine is another original and innovative design that comes from the family of recessed 24VDC systems pioneered by PureEdge that recess into any surface at least 5/8-inch thick without having to modify framing or surrounding construction. Truline Trim has a 1/2 inch finished flange that allows it to be recessed into any surface including wood, tile, cement, or drywall. Redefining the relationship between Lighting and Interior Design, this innovative and highly efficient system blends seamlessly into the drywall, becoming part of the architecture. The Power Feeds included with this fixture contain a 5-Channel WiZ Pro CV Bridgebox allowing for wireless control of the Truline Trim luminaire with the WiZ Pro software suite and Pure Smart Wi-Fi Room Controller. The slim extrusions, LED strips, and lenses are field-cuttable and ordered in 1' increments (up to 20' before re-feeding). Multiple runs of channel mount flawlessly together providing smooth and glare-free general illumination using designer-grade color rendering LEDs (97+ CRI). With the ability to run in vertical, horizontal, and diagonal directions, the compositions are truly endless. Pure Smart TruColor technology uses five channels of tunable LEDs, composed of RGBTW red, blue, green, and Tunable White (1500K-6500K). With our precision-engineered, proprietary color mixing, we produce one of the widest, most accurate spectrums available, giving our customers access to the warm glow of the sunset (1500K-2400K golden hour) to the pure white light of the mid-day sun (5700K) and everything in between. TruColor LEDs achieve an average CRI-Color Rendering Index of 97+ and a Duv of +/- .0020 in relation to the blackbody curve at any point on the spectrum of tunable white CCT. Dynamic Color Changing functionality provides millions of possibilities for intricate customization, rich saturated secondary colors, and unprecedented ease of installation, making RGBTW the ideal choice for residential and commercial applications. TruColor RGBTW adds more than just decorative flexibility; it also helps to support a healthy Circadian Rhythm and well-being. Let TruColor transform your space and the people within it. TruColor RGBTW is optimized for control with WiZ Pro Wi-Fi based smart control system.



Shown in white



Specifications

COLOR	N/A
BODY FINISH	White
WATTAGE	40W
DIMMER	Low Voltage Electronic
DIMENSIONS	48"L x 2.82"W x 0.625"H
INTEGRATED LED MODULE	4 x LED/10W/24V LED

Technical Information

LAMP LIFE	50000 hours
COLOR RENDERING	95 CRI
LAMP COLOR	RGB+White
LUMENS/WATT	231.20
LUMINOUS FLUX	2312 lumens



CLICK TO VIEW PRODUCT

Notes: