

Lightology

lightology.com
866-954-4489
04-25-26

Project: _____

Company: _____

Location: _____ Fixture Type: _____

SPEC #: **EDG1358287**

Approved On: _____ Approved By: _____

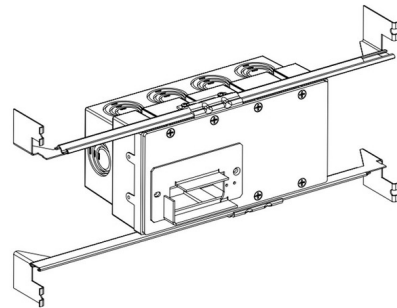
Truline 1.6A 4 Gang Junction Box with Mounting Plate

By PureEdge Lighting

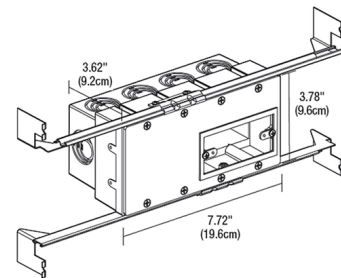


Description

The Truline 1.6A 4 Gang Junction Box with Mounting Plate (included with Pure Smart power feed ordering code) includes a 4 gang junction box with adjustable bar hangers and mounting plate for the Truline 1.6A Channel. Two Class 2, 14 AWG stranded conductors from remote located power supply are required per WiZ Pro CV Bridgebox used. Junction box can be quick shipped for rough-in.



Shown in aluminum



Specifications

COLOR	N/A
BODY FINISH	Aluminum
WATTAGE	N/A
DIMMER	N/A
DIMENSIONS	7.72"W x 3.88"H x 3.62"D
BULB	N/A



CLICK TO VIEW PRODUCT

Notes: