

Lightology

lightology.com
866-954-4489
05-18-26

Project: _____
 Company: _____
 Location: _____ Fixture Type: _____
 SPEC #: **WAC1362405**
 Approved On: _____ Approved By: _____

FQ 2 inch 15W Square Trimless New Construction IC Housing By WAC Lighting

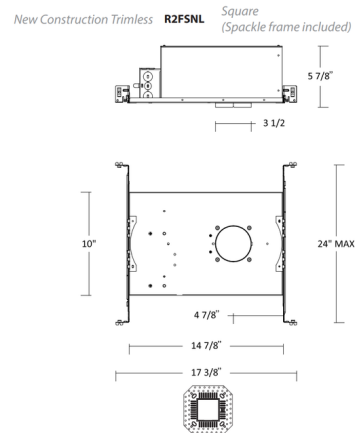


Description

The FQ 2 Inch IC Rated Airtight New Construction housing is designed for trimless square trims. Universal 120/277 with Electronic Low Voltage (ELV): 100%-1% or TRIAC: 100%-1% dimming at 120V, or 0-10V: 100-1% dimming at 277V. Ceiling cutout 3.5 inch. Ceiling thickness: 1/2 to 1 inch. NOTE: A complete fixture requires a housing and trim, sold separately.



Shown in galvanized steel



Specifications

COLOR	N/A
BODY FINISH	Galvanized Steel
WATTAGE	15W
DIMMER	Low Voltage Electronic
DIMENSIONS	17.37"W x 5.87"H x 10"D
INTEGRATED LED MODULE	LED/15W/120-277V LED

Technical Information

APERTURE SHAPE	Square
HOUSING HEIGHT	6"
HOUSING TYPE	New construction IC Airtight
CEILING TYPE	Drywall Trimless/Flush



CLICK TO VIEW PRODUCT

Notes: