

Lightology

lightology.com
866-954-4489
06-15-26

Project: _____

Company: _____

Location: _____ Fixture Type: _____

SPEC #: **WAC1362420**

Approved On: _____ Approved By: _____

FQ 4 inch RD /SQ 28W Trimmed New Construction Non-IC Housing By WAC Lighting



Description

The FQ 4 Inch 28 Watt New Construction Housing is a one size housing for all with trim round and square trim types for simplicity and versatility. Uniformed ceiling cutout size for downlights, adjustable downlights and wall wash in round or square. Quick connectors installed on driver for easy driver replacement. Driver concealed within the fixture. TRIAC and ELV dimming at 120V; 0-10V dimming at 277V. EM fixtures provided with integral emergency battery backup with 24 inch lead wire remote test switch. Provides at least 90 minutes of 6W illumination during emergency operation.

Specifications

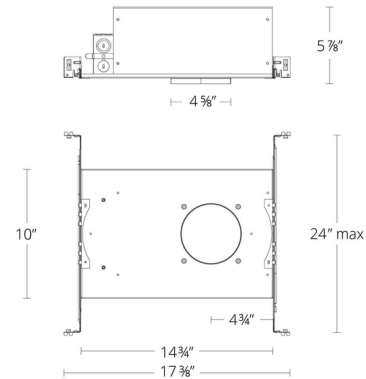
COLOR N/A
BODY FINISH Galvanized Steel
WATTAGE 28W
DIMMER Low Voltage Electronic
DIMENSIONS 17.38"W x 5.88"H x 10"D
INTEGRATED LED MODULE 1 x LED/28W/120-277V LED

Technical Information

APERTURE SIZE 4.000"
HOUSING HEIGHT 6"
HOUSING TYPE New construction NON IC Airtight



Shown in galvanized steel



CLICK TO VIEW PRODUCT

Notes: