

Lightology

lightology.com
866-954-4489
07-08-26

Project: _____
 Company: _____
 Location: _____ Fixture Type: _____
 SPEC #: **HMRI372056**
 Approved On: _____ Approved By: _____

Gaia Cluster Pendant By Hammerton Studio



Description

The Gaia Cluster Pendant brings a modern, organic look to your interior space. The gathered cables hold beautifully contoured orbs of hand blown, lead-free Crystal that casts warm shadows of light across your room. Note: Opal White glass is not available in 2700K. Amber with Beige Silver is not available in 2700K.

Specifications

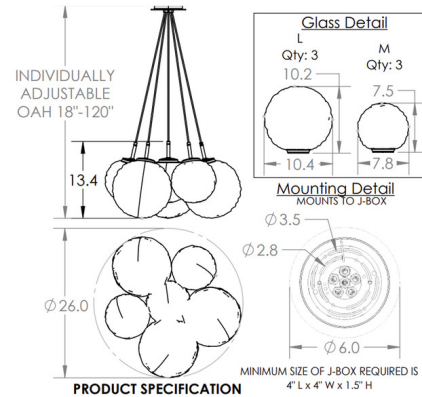
COLOR Amber
 BODY FINISH Gilded Brass
 WATTAGE 16W
 DIMMER Low Voltage Electronic
 DIMENSIONS 26"W x 13.4"H
 INTEGRATED LED MODULE 6 x LED/2.66W/120V LED
 COUNTRY OF ORIGIN United States

Technical Information

PRODUCT DIMENSIONS Min/Max Adjustable Height: 18" - 120"
 COLOR RENDERING 93 CRI
 LAMP COLOR 3000K
 LUMENS/WATT 474.06
 LUMINOUS FLUX 1261 lumens



Shown in gilded brass / amber



CLICK TO VIEW PRODUCT

Notes: