

# Lightology

lightology.com  
866-954-4489  
04-25-26

Project: \_\_\_\_\_

Company: \_\_\_\_\_

Location: \_\_\_\_\_ Fixture Type: \_\_\_\_\_

SPEC #: **EDG1372569**

Approved On: \_\_\_\_\_ Approved By: \_\_\_\_\_

## Truline Trim 1.6A L-Picture Frame Dual Feed Power Connector

By PureEdge Lighting



### Description

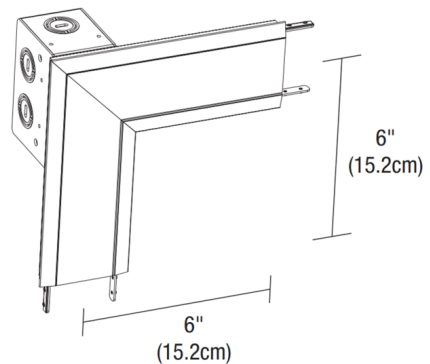
The Truline Trim 1.6A L-Picture Frame Dual Feed Channel Power Connector allows 24VDC power to be fed from corners for 90 degree turns (with power) in Picture Frame installations and two separate LED strips (not included) bends on the side within the connector to create continuous illumination on a wall or ceiling. LED strip is installed on the side of the channel. Includes lens, channel joiners, junction box, adjustable mounting bars, and channel power connectors. Color Temperature Options: All Other: Static White, Warm Dim, Mono Color, RGB-Red/Blue/Green, Tunable White RGBW: Red/Blue/Green + White TruColor RGBTW: RGB-Red/Blue/Green + Tunable White

### Specifications

COLOR	N/A
BODY FINISH	White
WATTAGE	N/A
DIMMER	N/A
DIMENSIONS	6"W x 6"H
BULB	N/A



Shown in white



CLICK TO VIEW PRODUCT

Notes: