

Lightology

lightology.com
866-954-4489
07-07-26

Project: _____
 Company: _____
 Location: _____ Fixture Type: _____
 SPEC #: **MFR1372997**
 Approved On: _____ Approved By: _____

I-Beam Wall Light - Overstock

By Modern Forms

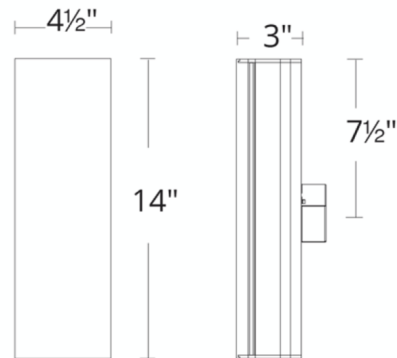


Description

The I-Beam Wall Light features aluminum construction with an acrylic diffuser. LEDs are positioned both to illuminate the wall surrounding the wall light and to minimize glare from any angle. Vertical or horizontal mount applications. Universal voltage driver within standard 4 inch junction box. Dimmable with a low voltage electronic dimmer, sold separately.



Shown in brushed aluminum / white



Specifications

COLOR	White
BODY FINISH	Brushed Aluminum
WATTAGE	20.5W
DIMMER	Low Voltage Electronic
DIMENSIONS	4.5"W x 14"H x 3"D
INTEGRATED LED MODULE	1 x LED/20.5W/120-277V LED
COUNTRY OF ORIGIN	China

Technical Information

COLOR RENDERING	90 CRI
LAMP COLOR	3000K
LUMENS/WATT	46.83
LUMINOUS FLUX	960 lumens



CLICK TO VIEW PRODUCT

Notes: