

Lightology

lightology.com
866-954-4489
04-12-26

Project: _____

Company: _____

Location: _____ Fixture Type: _____

SPEC #: **BOV1373987**

Approved On: _____ Approved By: _____

Nans Bag Outdoor Portable Lamp

By Bover



Description

The Nans Bag Outdoor Portable Lamp is handwoven from polyethylene fibers in a variety of cheerful colorways that will effortlessly blend into any outdoor setting. The top of the lamp has been covered with an aluminum disc which transforms Nans Bag from a mere lamp into a functional side table for small items. An integrated LED light source provides illumination which casts a dazzling pattern of light and shadow through the open weave. Two buttons on the top of the lamp allow the brightness (100% / 66% / 33%) and color temperature (2200K / 2400K / 2700K) to be easily adjusted to create the perfect ambiance for any occasion, and a built-in rechargeable battery allows the lamp to be placed wherever it is needed most. Includes USB-C charging cable (wall plug is not included).

Specifications

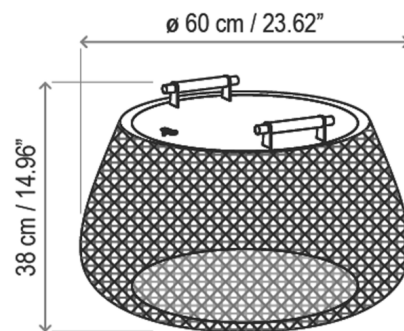
COLOR Brown
BODY FINISH Brown
WATTAGE 5.5W
DIMMER Included
DIMENSIONS 23.62"W x 14.96"H
INTEGRATED LED MODULE 1x LED/5.5W/120V LED
COUNTRY OF ORIGIN Spain

Technical Information

COLOR RENDERING 90 CRI
LAMP COLOR CCT Select
LUMENS/WATT 123.64
LUMINOUS FLUX 680 lumens



Shown in brown / brown



CLICK TO VIEW PRODUCT

Notes: