

Lightology

lightology.com
866-954-4489
04-22-26

Project: _____

Company: _____

Location: _____ Fixture Type: _____

SPEC #: **LCI1375184**

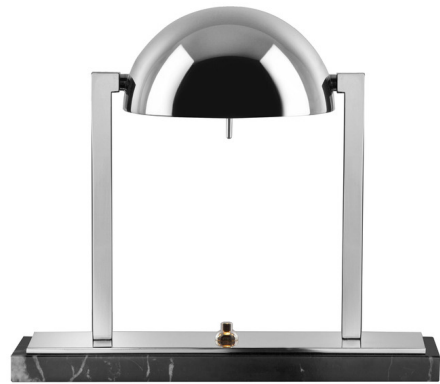
Approved On: _____ Approved By: _____

Diane Table Lamp By Lumen Center Italia

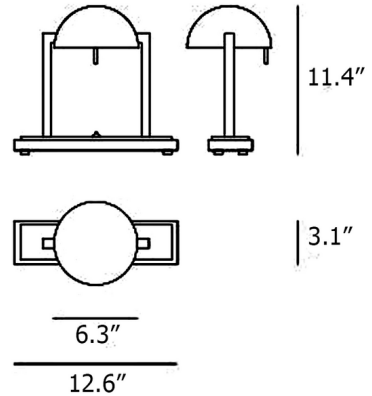


Description

Originally designed in 1932 by Jacques Adnet, the Diane Table Lamp combines the clean geometric lines of Modernism with luxe materials for an refined aesthetic that evokes the sun rising above the horizon. The dome shade is supported by two rectangular arms and can be tilted to aim the light. A rectangular marble base completes the look with a rich visual texture. On/off switch on base.



Shown in chrome



Specifications

COLOR	N/A
BODY FINISH	Chrome
WATTAGE	6W
DIMMER	N/A
DIMENSIONS	12.59"W x 11.41"H x 6.3"D
BULB NOT INCLUDED	1 x B10/Candelabra (E12)/6W/120V LED



CLICK TO VIEW PRODUCT

Notes: