

Lightology

lightology.com
866-954-4489
04-19-26

Project: _____
 Company: _____
 Location: _____ Fixture Type: _____
 SPEC #: **MAX1375680**
 Approved On: _____ Approved By: _____

Pinn Pendant By Maxim Lighting



Description

The Pinn Pendant adds a bold industrial look to your interior space. The smooth frame holds cylindrical glass, with decorative thumbscrews, that cast warm shadows of light across your area. Note: Use with a variety of medium base bulbs, up to 60 watts, to create your own look.

Specifications

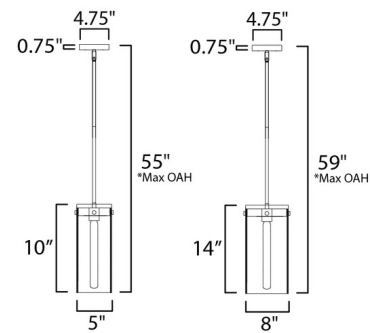
COLOR	Clear
BODY FINISH	Black / Satin Brass
WATTAGE	9W
DIMMER	Standard 120V
DIMENSIONS	5"W x 10"H
BULB NOT INCLUDED	1 x T10/Medium (E26)/9W/120V LED
OTHER BULB OPTIONS	A19/Medium (E26)/60W/120V Incandescent A19/Medium (E26)/9W/120V LED Edison ST-Shape/Medium (E26)/60W/120V Incandescent Edison ST-Shape/Medium (E26)/9W/120V LED T10/Medium (E26)/60W/120V Incandescent

Technical Information

PRODUCT DIMENSIONS Downrods: One 6" and Three 12" Included



Shown in black / satin brass / clear



CLICK TO VIEW PRODUCT

Notes: