

Lightology

lightology.com
866-954-4489
04-20-26

Project: _____

Company: _____

Location: _____ Fixture Type: _____

SPEC #: **SSA1376108**

Approved On: _____ Approved By: _____

Antica Wall Sconce

By Siemon & Salazar



Description

The Antica Wall Sconce celebrates the beauty in imperfection with a shade formed by pouring molten glass into hand-formed sand. This process creates a grainy texture which diffuses light from the integrated LED for a subtle, mystifying glow. The round shade is paired with a smooth wood backplate and a rough cast bronze disc to complete the look. Dimmable with ELV, TRIAC, or 0-10V dimmers.

Specifications

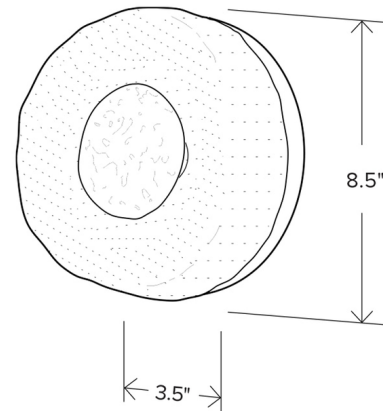
COLOR Ashen Sand
BODY FINISH Walnut / Antique Bronze
WATTAGE 3.3W
DIMMER Low Voltage Electronic
DIMENSIONS 8.5"W x 8.5"H x 3.5"D
INTEGRATED LED MODULE 1 x LED/3.3W/120V LED

Technical Information

COLOR RENDERING 90 CRI
LAMP COLOR 2700K
LUMENS/WATT 96.97
LUMINOUS FLUX 320 lumens



Shown in walnut / antique bronze / ashen sand



CLICK TO VIEW PRODUCT

Notes: