

Lightology

lightology.com
866-954-4489
05-31-26

Project: _____

Company: _____

Location: _____ Fixture Type: _____

SPEC #: **LPL1378893**

Approved On: _____ Approved By: _____

PH 5 Pendant

By Louis Poulsen

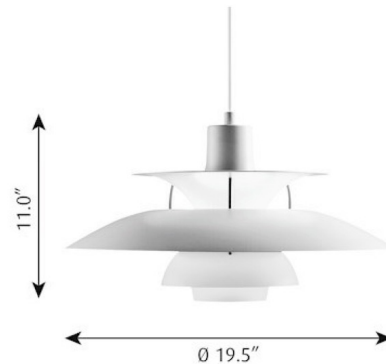


Description

The PH5 Pendant is designed based on the principle of a reflective three shade system, which directs the majority of the light downwards. The shades give a soft light distribution, perfect in your room.



Shown in white / monochrome pale blush



Specifications

COLOR	Monochrome Pale Blush
BODY FINISH	White
WATTAGE	22W
DIMMER	Standard 120V
DIMENSIONS	19.5"W x 10.5"H
BULB NOT INCLUDED	1 x A21/Medium (E26)/22W/120V LED
COUNTRY OF ORIGIN	Denmark



CLICK TO VIEW PRODUCT

Notes: