

# Lightology

lightology.com  
866-954-4489  
04-26-26

Project: \_\_\_\_\_

Company: \_\_\_\_\_

Location: \_\_\_\_\_ Fixture Type: \_\_\_\_\_

SPEC #: **OXY1379536**

Approved On: \_\_\_\_\_ Approved By: \_\_\_\_\_

## Xanni Color-Select Linear Pendant

By Oxygen by Quorum



### Description

The Xanni Color-Select Linear Pendant brings a clean minimalism to your interior space. The slim rectangular frame, holds the light source that casts warm shadows of light across your room. Note: Built in color temperature adjustability to switch from 3000K/3500K/4000K.

### Specifications

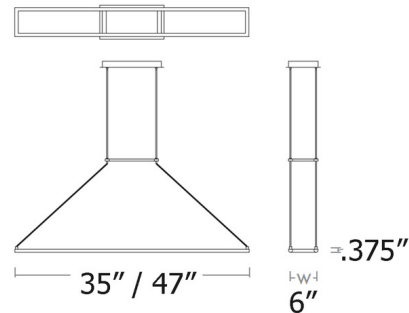
COLOR . . . . . Matte White Acrylic  
BODY FINISH . . . . . Aged Brass  
WATTAGE . . . . . 27W  
DIMMER . . . . . Standard 120V  
DIMENSIONS . . . . . 35"L x 6"W x 0.38"H  
INTEGRATED LED MODULE . . . . . 1 x LED/27W/120-277V LED  
COUNTRY OF ORIGIN . . . . . China

### Technical Information

PRODUCT DIMENSIONS . . . . . Adjustable Cable Length: 120"  
COLOR RENDERING . . . . . 90 CRI  
LAMP COLOR . . . . . CCT Select  
LUMENS/WATT . . . . . 47.63  
LUMINOUS FLUX . . . . . 1286 lumens



Shown in aged brass / matte white acrylic



Notes:



CLICK TO VIEW PRODUCT