

Lightology

lightology.com
866-954-4489
06-22-26

Project: _____

Company: _____

Location: _____ Fixture Type: _____

SPEC #: **VCG1382015**

Approved On: _____ Approved By: _____

Mathilde Table Lamp

By Visual Comfort Signature

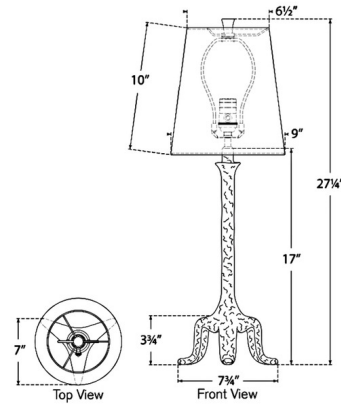


Description

The Mathilde Table Lamp adds a vintage beauty to your interior space. Traditional tripod legs are brought back to a time gone by, and hold a tall, tapered linen shade that casts warm shadows of light across your room. Dimmer switch is located on the lamp socket.



Shown in plaster white / linen



Specifications

COLOR Linen
BODY FINISH Plaster White
WATTAGE 15W
DIMMER Included
DIMENSIONS 9"W x 27.25"H
BULB NOT INCLUDED 1 x A19/Medium (E26)/15W/120V LED

Technical Information

PRODUCT DIMENSIONS Cord: 144"



CLICK TO VIEW PRODUCT

Notes: