

Lightology

lightology.com
866-954-4489
07-02-26

Project: _____

Company: _____

Location: _____ Fixture Type: _____

SPEC #: **VCG1382535**

Approved On: _____ Approved By: _____

Talia Shade Wall Sconce By Visual Comfort Signature

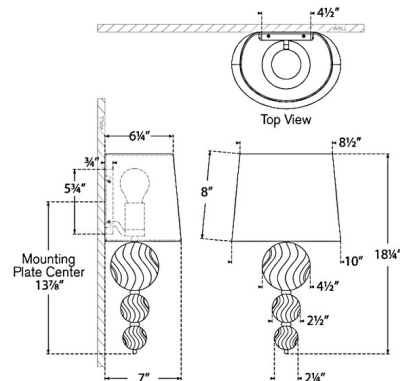


Description

The Talia Shade Wall Sconce will enhance your interior environment with its enchanting design. A collection of swirled artisanal glass orbs in different sizes is elegantly positioned on the slim metal framework, and topped with a tapered linen shade, creating a warm interplay of shadows throughout your space.



Shown in gild / linen



Specifications

COLOR	Linen
BODY FINISH	Gild
WATTAGE	15W
DIMMER	Standard 120V
DIMENSIONS	10"W x 18.25"H x 7"D
BULB NOT INCLUDED	1 x A19/Medium (E26)/15W/120V LED



CLICK TO VIEW PRODUCT

Notes: