

Lightology

lightology.com
866-954-4489
06-29-26

Project: _____

Company: _____

Location: _____ Fixture Type: _____

SPEC #: **VCG1382634**

Approved On: _____ Approved By: _____

Esculpa Alabaster Wall Sconce

By Visual Comfort Signature

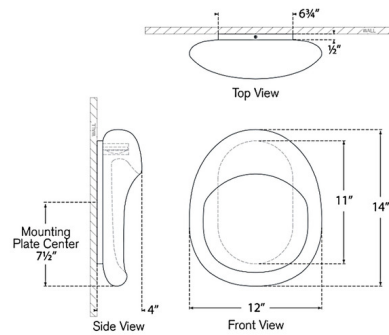


Description

The Esculpa Alabaster Wall Sconce brings an organic beauty to your interior space. The rounded, Alabaster body holds the light source inside the top of the opening, casting warm shadows across your room.



Shown in polished nickel / alabaster



Specifications

COLOR	Alabaster
BODY FINISH	Polished Nickel
WATTAGE	9W
DIMMER	Low Voltage Electronic
DIMENSIONS	12"W x 14"H x 4"D
INTEGRATED LED MODULE	1 x LED/9W/120V LED

Technical Information

LAMP COLOR	2700K
LUMENS/WATT	120.00
LUMINOUS FLUX	1080 lumens



CLICK TO VIEW PRODUCT

Notes: