

Lightology

lightology.com
866-954-4489
06-04-26

Project: _____

Company: _____

Location: _____ Fixture Type: _____

SPEC #: **AFX1383019**

Approved On: _____ Approved By: _____

Connor Color-Select Ceiling Light

By AFX



Description

The Connor Color-Select flush mount is the perfect solution for upgrading to the look of recessed lights. This fixture fits onto a standard 4 inch junction box, with a flush appearance. Switchable LED color temperature options include 2700K, 3000K, 3500K, 4000K, and 5000K. Optional accessory trim pieces change the trim color to bronze, black or satin nickel.

Specifications

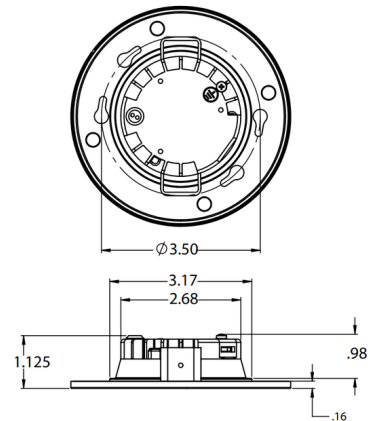
COLOR	Frosted
BODY FINISH	White
WATTAGE	12W
DIMMER	Low Voltage Electronic
DIMENSIONS	5"W x 1.13"H
INTEGRATED LED MODULE	1 x LED/12W/120V LED
COUNTRY OF ORIGIN	Viet Nam

Technical Information

LAMP LIFE	50000 hours
COLOR RENDERING	90 CRI
LAMP COLOR	CCT Select
LUMENS/WATT	75.00
LUMINOUS FLUX	900 lumens



Shown in white / frosted



CLICK TO VIEW PRODUCT

Notes: