

# Lightology

lightology.com  
866-954-4489  
04-28-26

Project: \_\_\_\_\_

Company: \_\_\_\_\_

Location: \_\_\_\_\_ Fixture Type: \_\_\_\_\_

SPEC #: **AHM1391184**

Approved On: \_\_\_\_\_ Approved By: \_\_\_\_\_

## Greer End Table

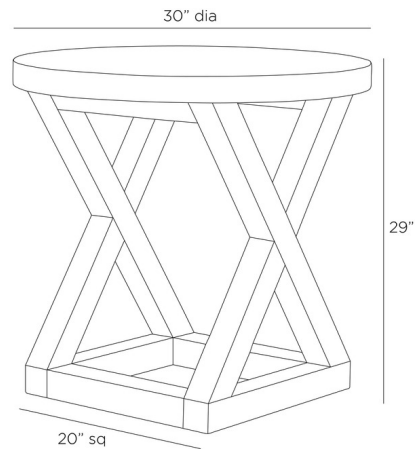
By Arteriors Home

### Description

The Greer End Table is oversized for expansive living, with a modern update of a classic English Champagne Style to suit today's style. Made from traditional blonde burl olive ash veneer, its bold proportions make it an excellent choice for creating a striking corner vignette.



Shown in olive ash veneer



### Specifications

COLOR	N/A
BODY FINISH	Olive Ash Veneer
WATTAGE	N/A
DIMMER	N/A
DIMENSIONS	30"W x 29"H
BULB	N/A



CLICK TO VIEW PRODUCT

Notes: