

Lightology

lightology.com
866-954-4489
07-06-26

Project: _____

Company: _____

Location: _____ Fixture Type: _____

SPEC #: **CER1396718**

Approved On: _____ Approved By: _____

Motus Swing Arm Bracket

By Cerno



Description

The Motus Swing Arm Bracket is an accessory for pendants by Cerno Lighting that allows the pendant to be suspended from the wall. The arm swings side-to-side and can be extended outwards from 18 in. to 27 in. Motus' bold, angular silhouette lends itself to a modern interior. Includes arm only; pendant sold separately.

Specifications

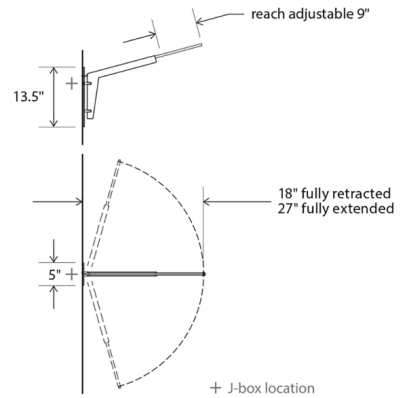
COLOR	Walnut
BODY FINISH	Textured Black
WATTAGE	N/A
DIMMER	N/A
DIMENSIONS	5"W x 13.5"H x 18.38"D
BULB	N/A

Technical Information

PRODUCT DIMENSIONS	Backplate: 5"W x 13.5"H
--------------------	-------------------------



Shown in textured black / walnut



CLICK TO VIEW PRODUCT

Notes: