

Lightology

lightology.com
866-954-4489
06-08-26

Project: _____
Company: _____
Location: _____ Fixture Type: _____
SPEC #: **FAB1397931**
Approved On: _____ Approved By: _____

Oru Copper Pendant By Fabbian



Description

The Oru Copper Pendant is created from a single sheet of copper that is hammered by hand into its shape over a domed wooden mold. The artisan's hammering marks are visible on the unfinished exterior, making a uniquely personalized pattern on each fixture. The inside of the pendant is polished to a smooth finish to reflect the light source within the fixture. The half-dome design is a classic form that serves the residential and commercial markets.

Specifications

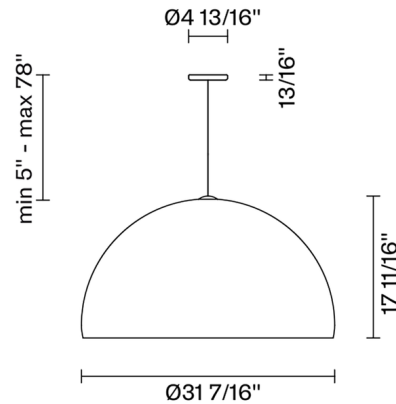
COLOR	N/A
BODY FINISH	Copper
WATTAGE	27.8W
DIMMER	0-10V
DIMENSIONS	31.44"W x 17.69"H
INTEGRATED LED MODULE	1 x LED/27.8W/120V LED
COUNTRY OF ORIGIN	Italy

Technical Information

COLOR RENDERING	90 CRI
LAMP COLOR	3000K
LUMENS/WATT	136.69
LUMINOUS FLUX	3800 lumens



Shown in copper



CLICK TO VIEW PRODUCT

Notes: