

# Lightology

lightology.com  
866-954-4489  
06-29-26

Project: \_\_\_\_\_  
 Company: \_\_\_\_\_  
 Location: \_\_\_\_\_ Fixture Type: \_\_\_\_\_  
 SPEC #: **KZC1403746**  
 Approved On: \_\_\_\_\_ Approved By: \_\_\_\_\_

## Scorpio Pendant By Kuzco Lighting



### Description

Like an astral body in motion, the Scorpio Pendant evokes mystery and timeless elegance. An opal glass globe forms an abstracted planet, banded with stepped metal details that create a dynamic interplay of light and shadow. Completed with luxurious mirrored finishes, this striking pendant is perfect for a contemporary interior.

### Specifications

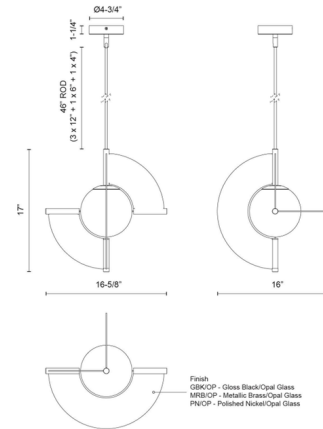
COLOR	Opal
BODY FINISH	Gloss Black
WATTAGE	15W
DIMMER	Low Voltage Electronic
DIMENSIONS	16"W x 17"H
INTEGRATED LED MODULE	1 x LED/15W/120-277V LED
COUNTRY OF ORIGIN	China

### Technical Information

PRODUCT DIMENSIONS	Downrods: 46" Max (3x12" + 1x6" + 1x4")
LAMP LIFE	50000 hours
COLOR RENDERING	90 CRI
LAMP COLOR	3000K
LUMENS/WATT	59.00
LUMINOUS FLUX	885 lumens



Shown in gloss black / opal



CLICK TO VIEW PRODUCT

Notes: