

Lightology

lightology.com
866-954-4489
04-17-26

Project: _____

Company: _____

Location: _____ Fixture Type: _____

SPEC #: **RGN1404334**

Approved On: _____ Approved By: _____

Vest Chandelier

By Regina Andrew

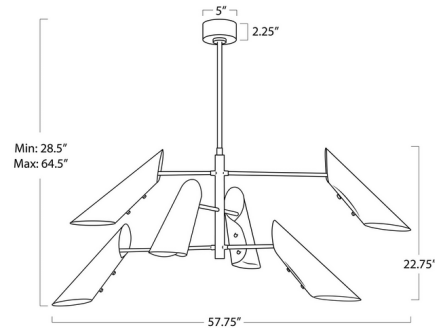


Description

The Vest Chandelier elevates mid-century modern charm with its large yet refined design, featuring conical shades in overlapping steel with a striking two-tone finish, lined with natural brass. The tailored shades, reminiscent of a tuxedo, contrast with the warm natural brass interior, creating a dramatic effect. With flexible arms and shades, this chandelier offers elegance and versatility.



Shown in natural brass / blackened brass



Specifications

COLOR Blackened Brass
BODY FINISH Natural Brass
WATTAGE 54W
DIMMER Standard 120V
DIMENSIONS 57.75"W x 28.5"H x 57.75"D
BULB NOT INCLUDED 6 x A19/Medium (E26)/9W/120V LED

Technical Information

PRODUCT DIMENSIONS Max Height: 64.5"



CLICK TO VIEW PRODUCT

Notes: