

Lightology

lightology.com
866-954-4489
04-27-26

Project: _____

Company: _____

Location: _____ Fixture Type: _____

SPEC #: **RGNI404466**

Approved On: _____ Approved By: _____

Eureka Shelving Unit

By Regina Andrew

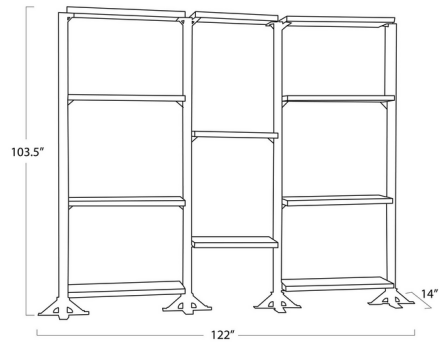


Description

Made of solid wood, the Eureka Shelving Unit features clean lines and minimalist details that make it perfect for any modern home with just a hint of industrial. Handmade in Regina Andrew's Live from Detroit Workshop, this process makes each piece subtly one-of-a-kind.



Shown in blackened iron / white oak



Specifications

COLOR	White Oak
BODY FINISH	Blackened Iron
WATTAGE	N/A
DIMMER	N/A
DIMENSIONS	122"W x 103.5"H x 14"D
BULB	N/A



CLICK TO VIEW PRODUCT

Notes: