

# Lightology

lightology.com  
866-954-4489  
07-03-26

Project: \_\_\_\_\_

Company: \_\_\_\_\_

Location: \_\_\_\_\_ Fixture Type: \_\_\_\_\_

SPEC #: **MER1406946**

Approved On: \_\_\_\_\_ Approved By: \_\_\_\_\_

## Sloane Linear Island Pendant By Meridian Lighting

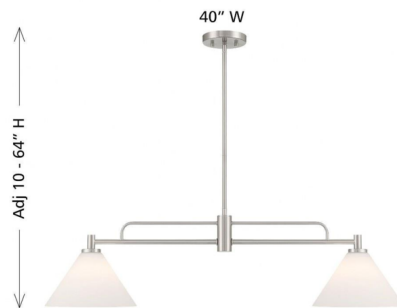


### Description

This crisp and elegant M100136 2-light island pendant is a perfect way to illuminate a kitchen island, a long dining table, a billiards room or any other stylish space. Conical shades of opal white glass provide bright, smooth light. Understated detailing adds a thoughtful touch.



Shown in brushed nickel / white



### Specifications

COLOR . . . . . White  
BODY FINISH . . . . . Brushed Nickel  
WATTAGE . . . . . 18W  
DIMMER . . . . . Standard 120V  
DIMENSIONS . . . . . 40"L x 10"W x 10"H  
BULB NOT INCLUDED . . . . . 2 x A19/Medium (E26)/9W/120V LED

### Technical Information

PRODUCT DIMENSIONS . . . . . Stem/Rod Lengths Included: 2-6 in, 8-12 in



CLICK TO VIEW PRODUCT

Notes: