

Lightology

lightology.com
866-954-4489
05-24-26

Project: _____
 Company: _____
 Location: _____ Fixture Type: _____
 SPEC #: **HMR1417178**
 Approved On: _____ Approved By: _____

Landmark Outdoor Pendant By Hammerton Studio

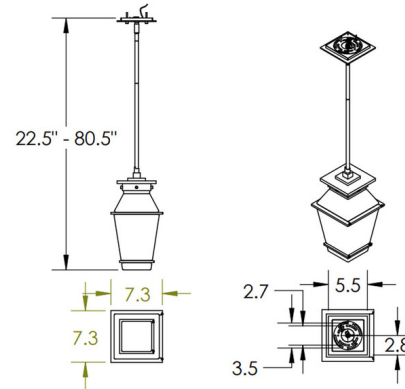


Description

The Landmark Outdoor Pendant brings a contemporary look to a classic lantern style. The band detailing surrounds beautiful hand blown hammered glass that casts warm shadows of light across your area. The AAMA 2604-rated finishes provide long-lasting UV and corrosion resistance in coastal and other harsh climates and have a lifetime warranty. Note: Integrated LED option is Dark Sky compliant. Dark Sky Ordinance was developed as outdoor lighting standards that reduce glare, light trespass, and sky glow



Shown in statuary bronze / clear hammered



Mounting Method: J-Box Ceiling Mount

Specifications

COLOR	Clear Hammered
BODY FINISH	Statuary Bronze
WATTAGE	12W
DIMMER	Standard 120V
DIMENSIONS	7.3"W x 22.5"H
BULB NOT INCLUDED	1 x A19/Medium (E26)/12W/120V LED

Technical Information

LUMENS/WATT	33.33
LUMINOUS FLUX	400 lumens



CLICK TO VIEW PRODUCT

Notes: