

Lightology

lightology.com
866-954-4489
06-30-26

Project: _____
 Company: _____
 Location: _____ Fixture Type: _____
 SPEC #: **SLP1418541**
 Approved On: _____ Approved By: _____

Fiordlys Linear Pendant By Slamp



Description

The Fiordlys Linear Pendant was inspired by the sinuous movement of the northern lights and waves crashing against the cliffs of Norway to introduce the calming presence of nature into an interior. Fiordlys' is composed of concentric shells in Slamp's signature technopolymers Opalflex and Lentiflex. The innermost Opalflex layer features a soft golden-white hue, while the middle Lentiflex layer features a ribbed texture that can create unexpected iridescent effects. The outermost layer is made of Opalflex with a metallized foil that creates dazzling patterns of light and shadow as light passes through. Triac / Trailing Edge dimmable.

Specifications

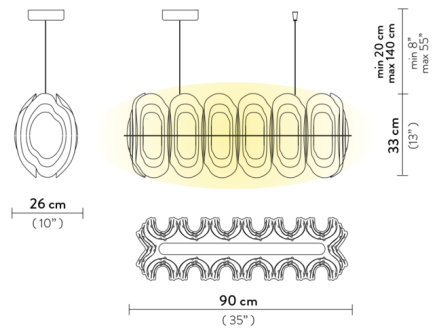
COLOR Silver
 BODY FINISH White
 WATTAGE 30W
 DIMMER Low Voltage Electronic
 DIMENSIONS 35"L x 10"W x 13"H
 INTEGRATED LED MODULE 1 x LED/30W/120V LED

Technical Information

COLOR RENDERING 90 CRI
 LAMP COLOR 2700K
 LUMENS/WATT 116.67
 LUMINOUS FLUX 3500 lumens



Shown in white / silver



CLICK TO VIEW PRODUCT

Notes: